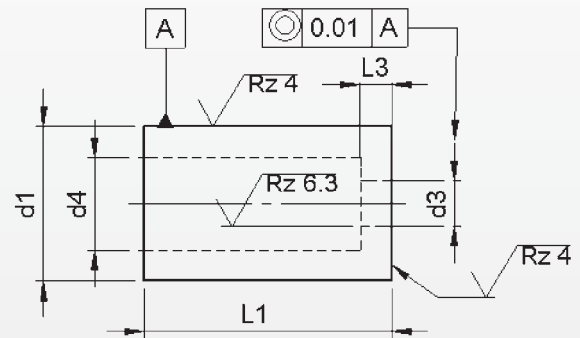
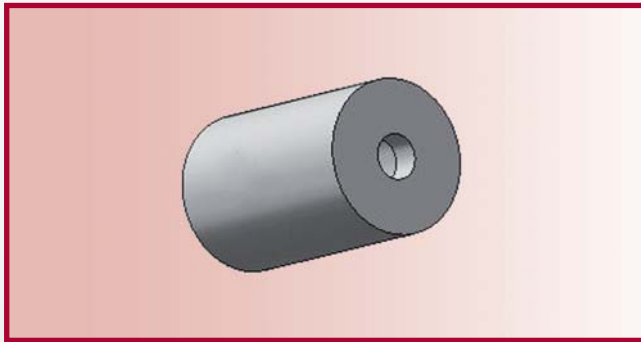


Die buttons type ED

With round holes



Material: HWS (1.2379)
Hardness: Shaft: 64 ±2 HRC

DISCONTINUED

d ₁	l ₃	d ₃			d ₄	l ₁ ^{+0.5} / ₀			
		≥	+0.01 0	≤		19	25	30	32
m5						Price by piece in EUROS			
6	1.6	1	-	3	3.5	11,35	11,35		
8	2	1	-	4	5	11,55	11,55	11,55	11,55
10	2.5	2	-	5	6.5	12,00	12,00	12,00	12,00
13	3	3	-	7	7.5	12,15	12,15	12,15	12,15
16	3	4	-	8	9	13,60	13,60	13,60	13,60
19	4	5	-	10	11	14,05	14,05	14,05	14,05
20	4	6	-	11	12	14,55	14,55	14,55	14,55
22	5	9	-	13	15	17,10	17,10	17,10	17,10
25	5	12	-	16	17		19,70	19,70	19,70
32	6	13	-	20	22			27,05	27,05
38	6	16	-	26	28			36,35	36,35
40	8	21	-	29	30			42,80	42,80
50	8	29	-	37	38			51,40	51,40
55	8	35	-	41	42			61,45	61,45

Intermediate diameters, other lengths and special materials e.g. ASP, CPM and Vanadis, are available on request.

Extra charges and discounts:

- 1 Pieces per dimension + 50%
- 2-3 Pieces per dimension + 25%
- 25 Pieces per dimension - 5%
- 50 Pieces per dimension - 7%
- 100 Pieces per dimension - 10%