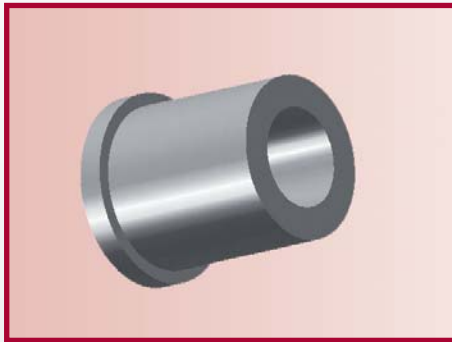
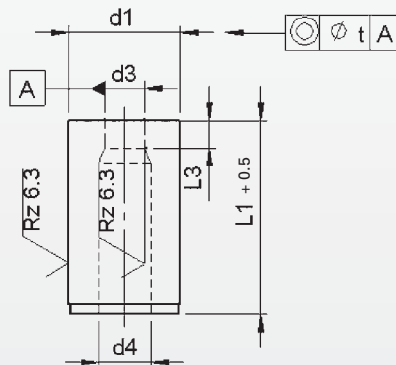


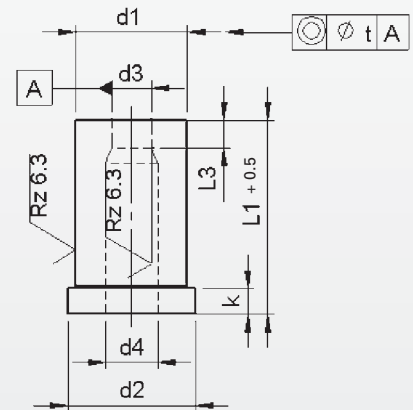
Die buttons DIN 9845 A / B



type A



type B



Material: HWS (1.2379)
Hardness: Shaft: 64 ±2 HRC

d ₁ Typ A n6 Typ B k6	d ₂	k	d ₃ H8		l ₃	d ₄ ± 0.1	Form A		Form B	
							l ₁	l ₁	l ₁	l ₁
							20	28	20	28
							Price by piece in EUROS			
5	7	4		1.0	2.0	d ₃ + 0.3	Price upon request			
6	8		1.0	2.0	3.0	d ₃ + 0.3				
7	9		2.1	3.0	3.0	d ₃ + 0.5				
8	10		3.1	4.0	3.0	d ₃ + 0.5				
10	12		4.1	5.0	4.0	d ₃ + 0.7				
12	14		5.1	6.0	4.0	d ₃ + 0.7				
15	17		6.1	8/0	4.0	d ₃ + 0.7				
18	20		8.1	10.0	4.0	d ₃ + 1.0				
22	24		10.1	12.0	5.0	d ₃ + 1.0				
26	28		12.1	15.0	5.0	d ₃ + 1.0				
30	32		15.1	18.0	5.0	d ₃ + 1.0				

Intermediate diameters, other lengths and special materials e.g. ASP, CPM and Vanadis, are available on request.