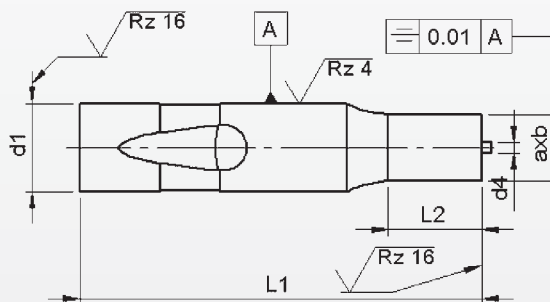
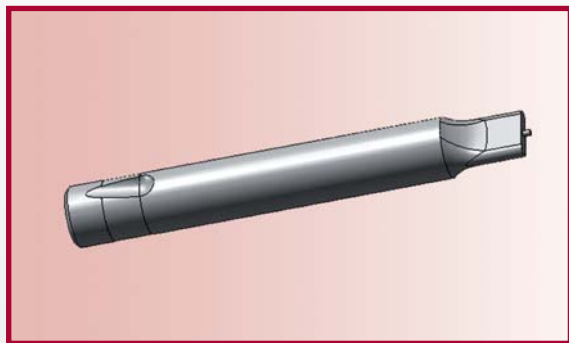


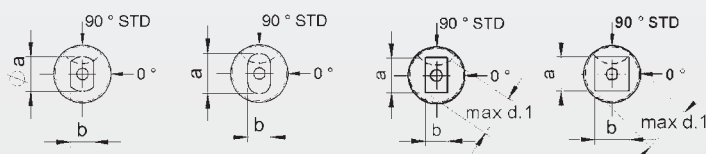
Ball-Lock punch type EBT..

With ejector with reduced shaft 'Form'



Material: HSS (1.3343)
Hardness: Shaft: 64 ±2 HRC
 Head: 50 ±5 HRC

type EBTf type EBT0 type EBT R type EBT S



d ₁	axb		l ₂	l ₁ ^{+0.3} / _{+0.2}					
				63/71	80	90	100	125	
g5	b ≥	± 0.01	a ≤	Price by piece in EUROS					
6	3,0	—	5,9	10	33,55	34,15	34,85	35,65	37,25
10	5,0	—	9,9	17	41,20	42,00	43,50	44,05	46,40
13	9,0	—	12,9	17	43,50	44,50	45,75	47,10	50,00
16	12,0	—	15,9	17	46,00	47,40	48,85	50,50	54,00
20	16,0	—	19,9	17	59,40	61,00	62,85	64,85	69,15
25	20,0	—	24,9	17	68,60	70,65	72,90	75,35	80,75

Intermediate diameters, other lengths and special materials e.g. ASP, CPM and Vanadis, are available on request.

Extra charges and discounts:

- 1 Pieces per dimension + 50%
- 2-3 Pieces per dimension + 25%
- 25 Pieces per dimension - 5%
- 50 Pieces per dimension - 7%
- 100 Pieces per dimension - 10%