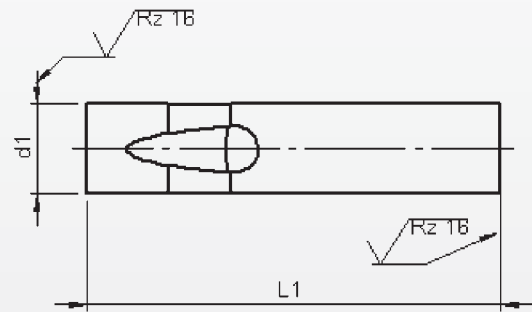


# Ball-Lock punch type BT



**Material:** HSS (1.3343)  
**Hardness:** Shaft: 64 ±2 HRC  
 Head: 50 ±5 HRC

d <sub>1</sub>	l <sub>1</sub> <sup>+0.3</sup> / <sub>+0.2</sub>				
	63/71	80	90	100	125
h5	<b>Price by piece in EUROS</b>				
6	7,80	8,40	9,10	9,90	11,50
10	10,20	11,00	12,05	13,05	15,40
13	12,50	13,50	14,75	16,10	19,00
16	15,00	16,40	17,85	19,50	23,00
20	17,90	19,50	21,35	23,35	27,65
25	21,85	23,90	26,15	28,60	34,00

Intermediate diameters, other lengths and special materials e.g. ASP, CPM and Vanadis, are available on request.

**Extra charges and discounts:**

- 1 Pieces per dimension + 50%
- 2-3 Pieces per dimension + 25%
- 25 Pieces per dimension - 5%
- 50 Pieces per dimension - 7%
- 100 Pieces per dimension - 10%